



## A flexible, powerful and practical GUI

The 132 BackPac is a slim compact PC that mounts behind the monitor of your choice. The Computer attaches to the back of any VESA monitors.

Select a large 32" display to create a big impression or a compact 15" display if space is a concern. The 132 gives you the freedom to create the optimal interface.

The CPU core is easily installed by sliding and locking it in place. A security key protects the pc core from unauthorized removal. If the unit requires servicing, it's easily removed. A wide choice of mini-ITX motherboards are available, from low powered atom to i7. All motherboard are less than 65W and revision controlled.

A flexible / open architecture, make it easy to support, integrate and economical. Working with the 132 is no different that working on standard PC hardware. It that easy and it's a smart choice.

### At a Glance

Compact Operator Interface  
 Rugged & Functional Design  
 Leverage the monitor of your choice  
 Wired or wireless  
 12VDC or 120VAC operation  
 Touch Screen or keyboard  
 Open & Flexible architecture  
 Imin-itx platforms  
 15 inch IR touch option  
 Wide CPU choices; Atom, i3, i5, i7

#### Standard features:

- Wide range of Intel processors; Atom, i3, i5, i7
- Ethernet, 60/120/250GB SSD, SVGA/HDMI, serial
- 12VDC direct or 120VAC mini-power brick
- 4 USB 2.0, 4 USB 3.0, 4-32GB Ram
- Security lock with easy removal; unlock and slide out PC core

#### Optional features:

- Preloaded OS win7
- 4 additional side USB
- Desk, wall, and post mounting options
- Wifi

The 132 provides a complete solution with multiple alternatives to meet challenging application requirements. The 132 offers outstanding features and performance with miniature proportions.

RTG; providing the right technology for the job. Supplying engineered computing platforms, based on knowledge and experience for over 20 years.



# 131 **BACKPAC** Computer Options

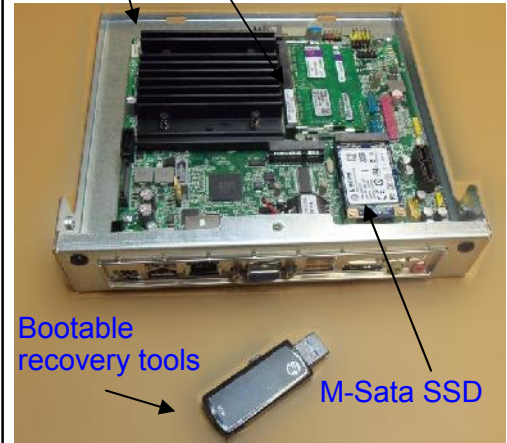
Touch Module with several mounting options. Ready for business



Space Saving Design

Fanless Processor

8GB DDR3 Sodimm



Bootable recovery tools

M-Sata SSD

## Bootable USB Recover Tools

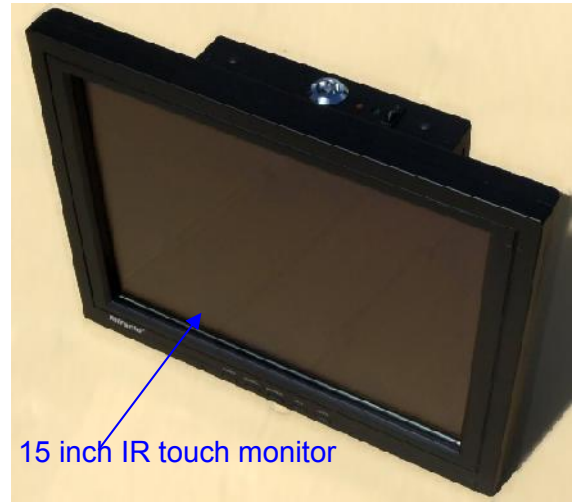
If the OS gets corrupted or you just need to make some changes. We can offer a simple and fast method to get the 132 back online. Working together we can create a bootable image that contains the OS, drivers and application software. Once the "Golden image" is created we can use the bootable USB drive to restore the image in as little as a few minutes.

## Industrial HMI applications



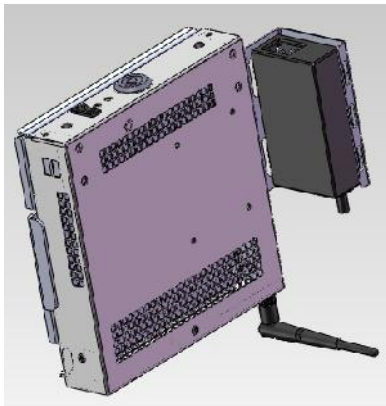
# 131 BACKPAC Features & Options

Choosing the right hardware:



15 inch IR touch monitor

WIFI & Peripherals



**Model 131 shown with 15" LCD IR Touch Computer**  
IR Touch, Stereo Audio, Ethernet, VGA, HDMI  
Less than 65Watts Power consumption  
Fanless and solid state, no moving parts  
DC or AC operation



Keylock for security and easy of installation



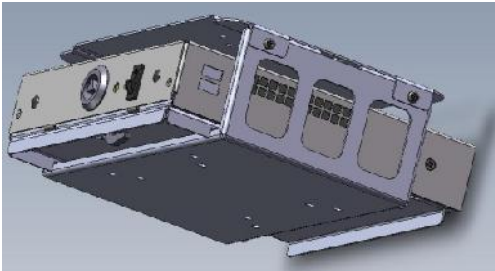
Y-Power Cable



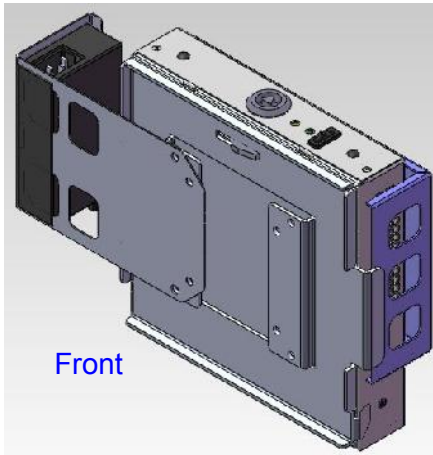
# 131 **BACKPAC** monitorPC Integration

## Monitor PC with several mounting options

The compact size of the 132 makes it easy to replace existing hardware. Vesa mounting is provided for compatibility for a variety of arms and brackets.



Double sided Vesa Cage



Front

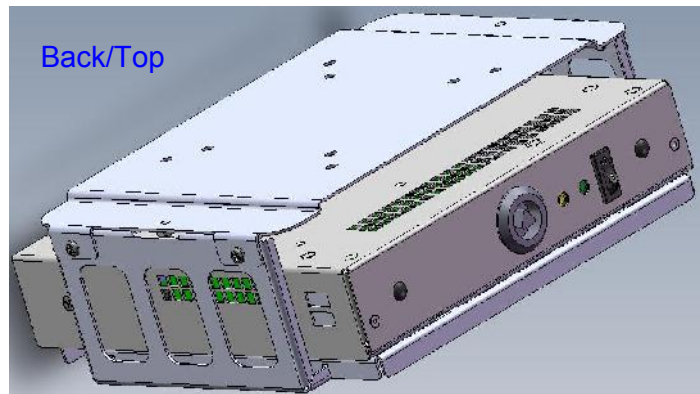


### Mounting Options include Desk, Wall, and Post mounting:

Vesa Mounting is provided standard on the front face. A rear cage provides vesa mounting on the back. While the front vesa is used to mount the monitor, the rear vesa can be used to attach a stand for desk mounting or wall using screw anchors. The vesa is detached and mounted to the wall.

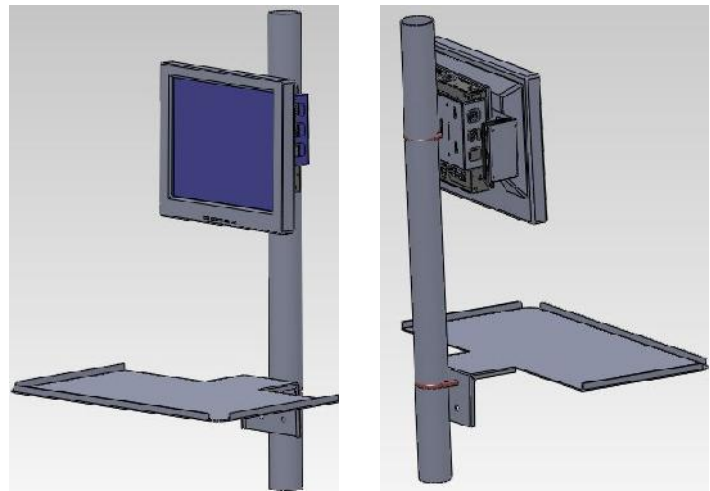
### Double Sided Vesa Cage

The optional *double sided vesa cage* provides the ultimate mounting flexibility. The front mount to the back of the monitor, while the rear is free to mount to arms, stands, posts, or to a wall.



Back/Top

### Post Mounting



### Wall Mounting

Is accomplished by mount the vesa plate to the wall with anchors.

# Preliminary Specifications

## Technical Specifications 132

Housing : Powder Coated Aluminum, compact : 1.6"x8.16"x7.8", appox 2lbs  
Processor : Intel Atom (6W) dual core fanless or i3 (35W), i5, i7  
Chipset : Intel  
RAM : 4-32GB Sodimm 1333Mhz DDR3  
Expansion : 1 PCI express (not used), 1-2 mini-pci express  
Ports: 1 serial RS232 (internal)  
4 USB (I/O shield) and 4 Optional (2 each side)  
1 GB Ethernet  
Video: up to 2048 x 1280, VGA / HDMI outputs  
SSD : m-sata 32/64/128/256 GB modules, user upgradeable  
Display: User selectable, requires vesa mount and VGA or HDMI  
Touch panel : optional IR  
Wifi: 1 mini PCI expansion slot or USB adapter, optional antenna  
Options : wifi, RF keyboard/mouse, Y-AC cable, rear vesa mount  
Audio interface : Stereo interface : Mic. In, Line Out  
Power supply : 12VDC or wide range, 110/220 VAC external 12VDC 5A adapter  
OS Windows, Linux

## Environmental Specifications (PC core only)

Operational 0 to 45 degrees C (32 to 113 degrees F)  
Non-Op Temp 0 to 60 degrees C (32 to 140 degrees F)  
Shipping Temp -40 to 60 degrees C (-40 to 140 degrees F)  
Relative Hum 8% to 80% non-condensing



Ross Technologies  
4387 36th Street  
Orlando, FL 32811  
Phone 407-872-0874  
Fax 407-872-0791  
Email [pq@rossdatasys.com](mailto:pq@rossdatasys.com)  
Website [www.rossdatasys.com](http://www.rossdatasys.com)