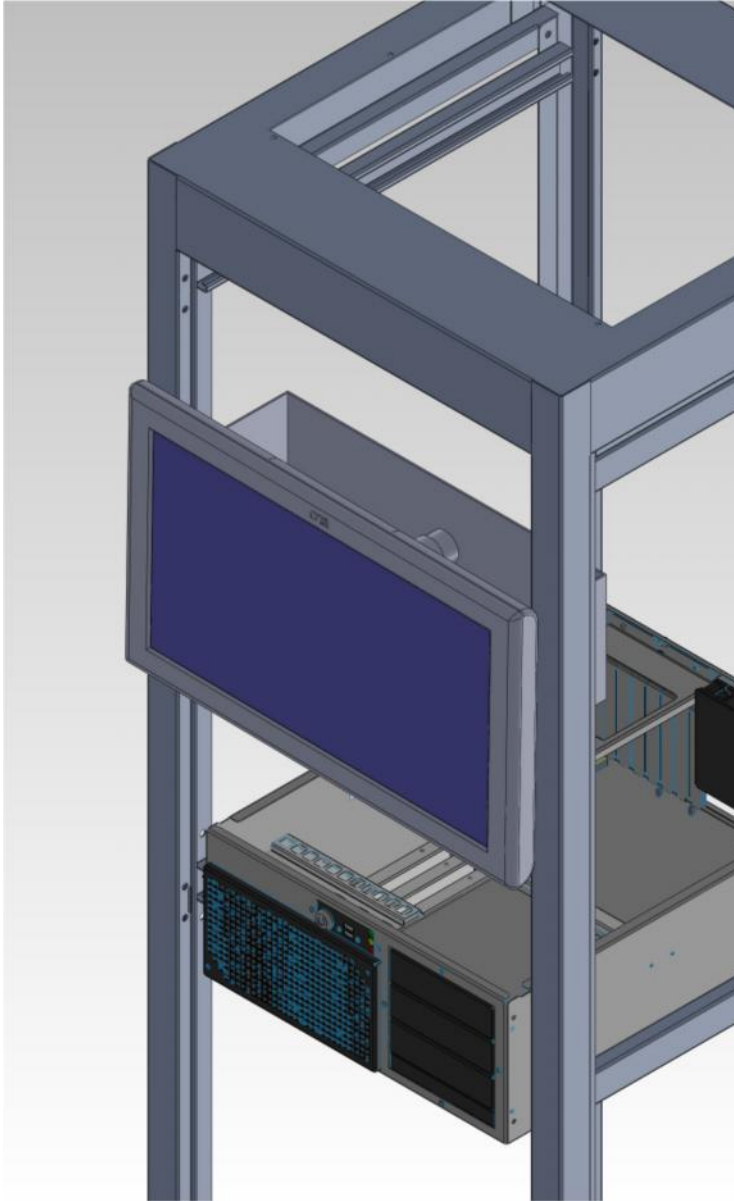
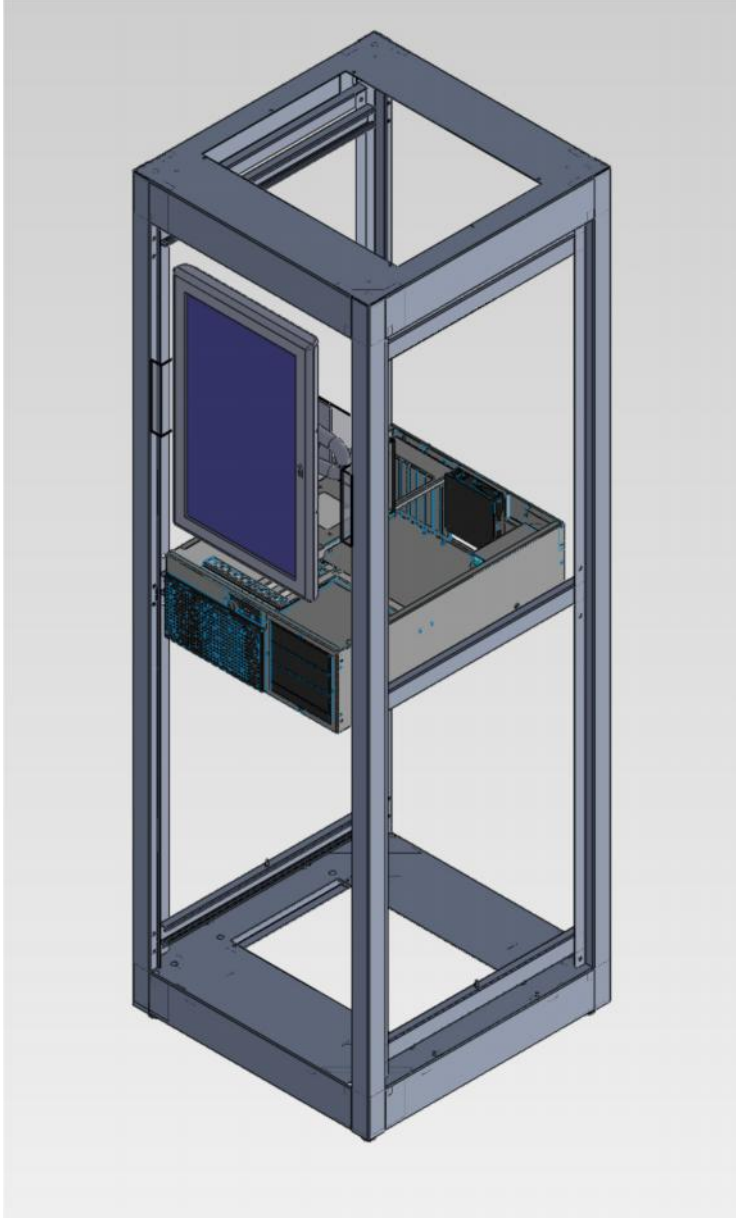


Description: ELO 2201L 22" LCD touch monitor mounted in a 19" rack mount box compartment using a retractable arm, providing tilt and pivot. The monitor is stowed in the rack box vertically and can be extended out of the monitor and rotated for horizontal viewing.



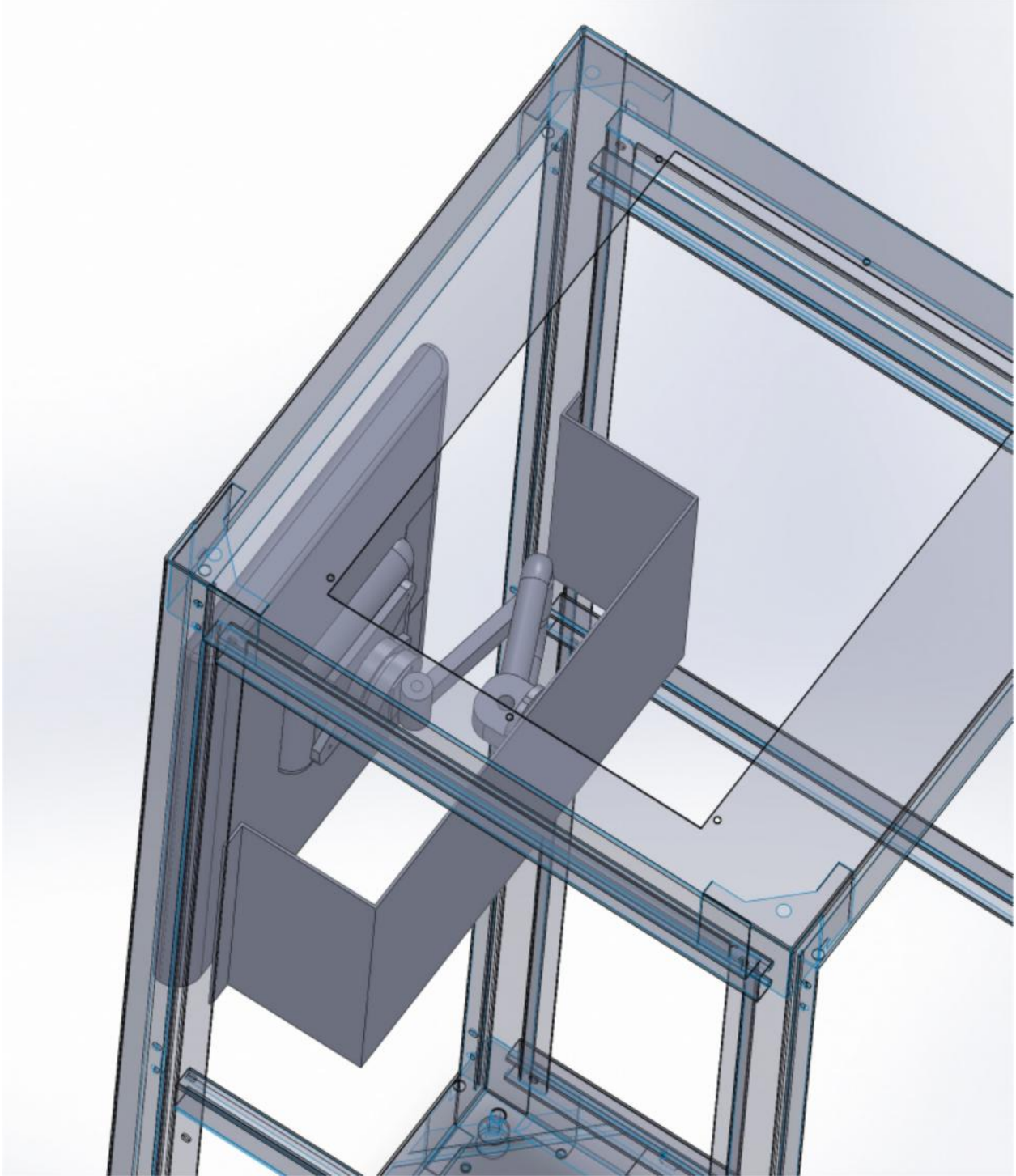
Horizontal orientation



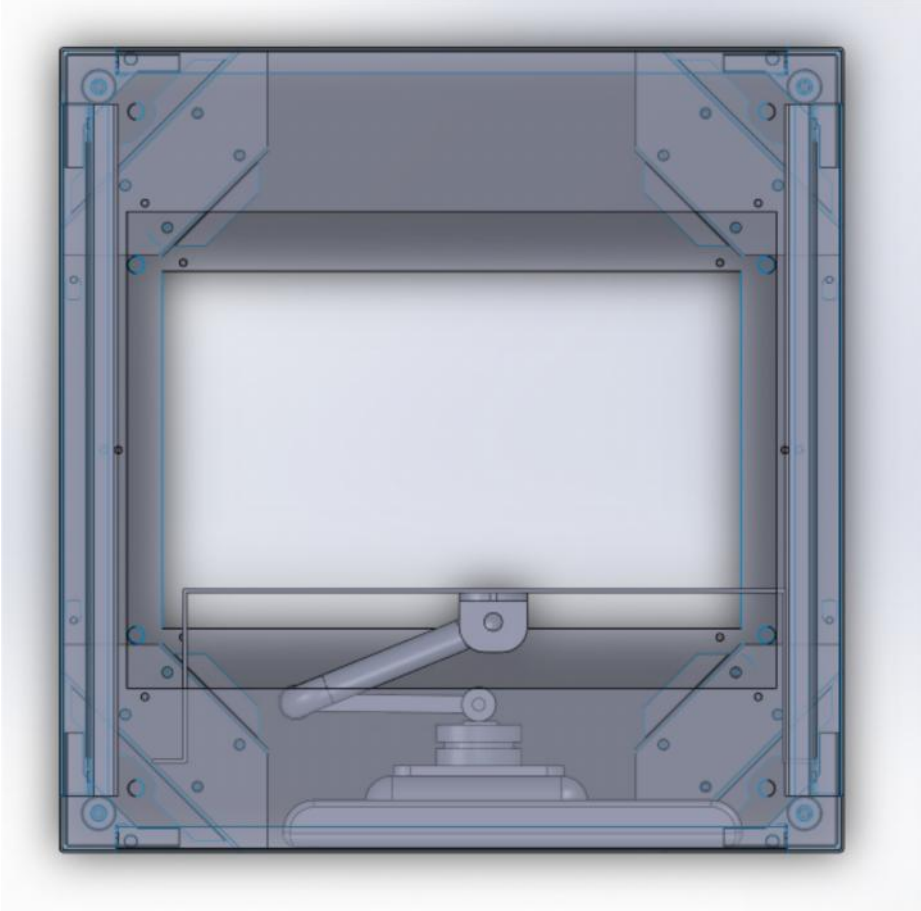
Vertical Orientation



Vertical Stowed position for storage inside the rack



Arm view



Top view vertical orientation



Metal recessed 19" rack box compartment with adjustable arm





Arm will extend 13 – 27" max weight 33lbs (monitor weight is 15lbs) rotates, extends and tilts. Vesa mount is attached to a ball & socket, full motion.



ARM with vesa mount front view.